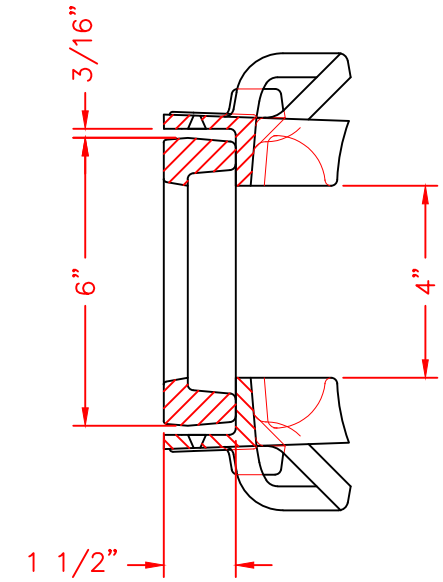
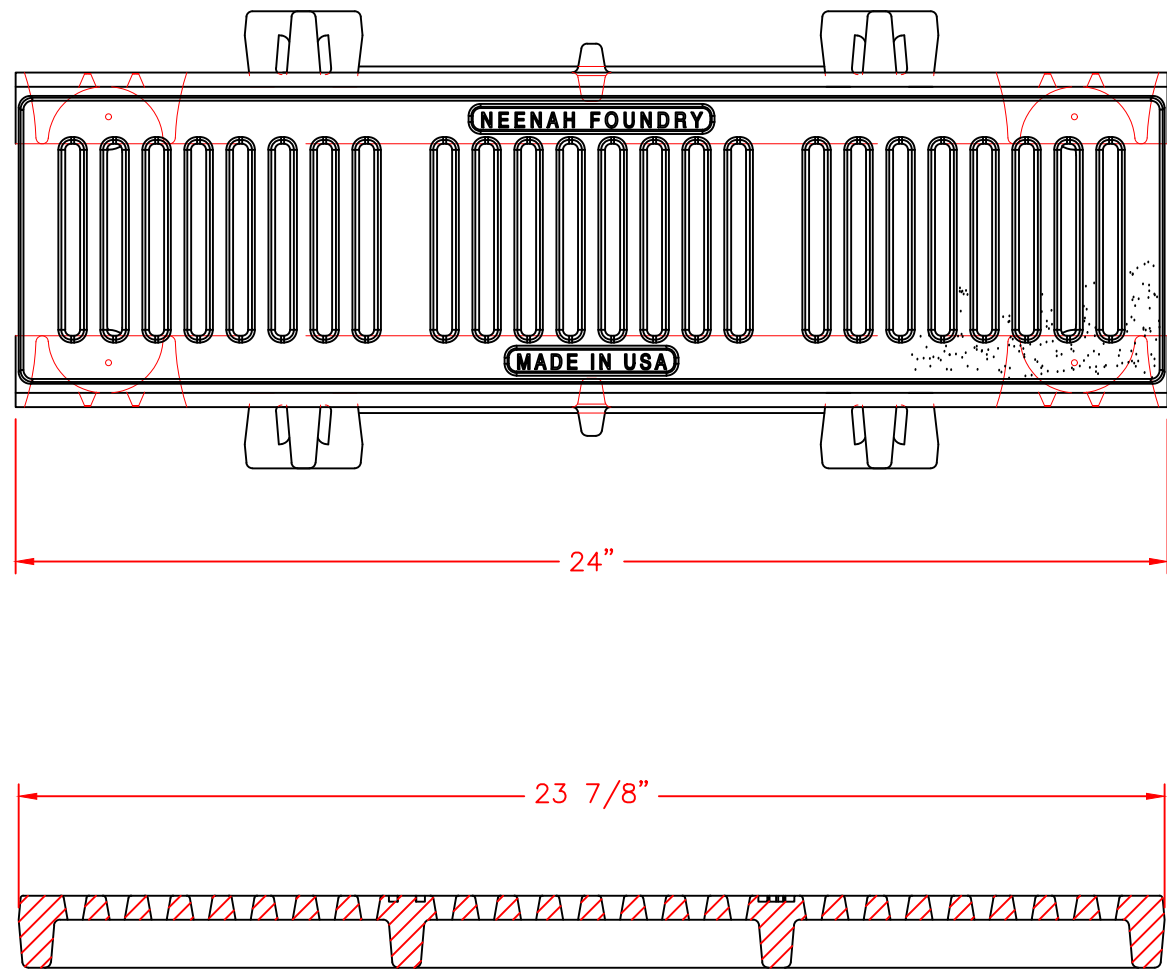


DRAWING CONTROL: CONTROLLED DRAWINGS ON NFCO SERVER. ALL OTHER COPIES, ELECTRONIC OR PRINTED ARE FOR REFERENCE ONLY



- NOTES:
- ALL DIMENSIONS SHOWN ARE IN ENGLISH
 - LOAD RATING: H-20 / HS-20
 - COMPONENT NOS.: (2) FRAME 4999-2415, GRATE 4989-3069
 - MATERIAL: CAST GRAY IRON ASTM A-48, CLASS 35B
 - FINISH: NO PAINT
 - WEIGHT: FRAME ≈10# EA, GRATE ≈25#

Supplied By:

**TRENCHDRAIN
SUPPLY**

877-903-7246

www.trenchdrainsupply.com

DR.	RKB	SCALE	TITLE:	
CH.	NJK	1/4"=1"	R-4989-6XP TYPE 'P' GRATE & FRAMES	
APP.	HSH	NEENAH FOUNDRY		NF-4989 659
DATE	04-07-2022	NEENAH WISCONSIN 54956 PHONE 800-558-5075		
		LINCOLN, NEBRASKA 68529 PHONE 800-234-7466		
		www.nfco.com		B